

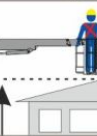






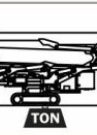
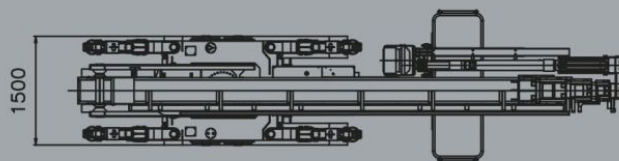
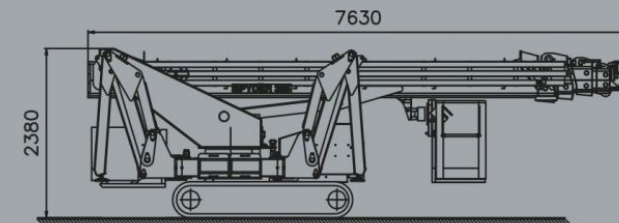
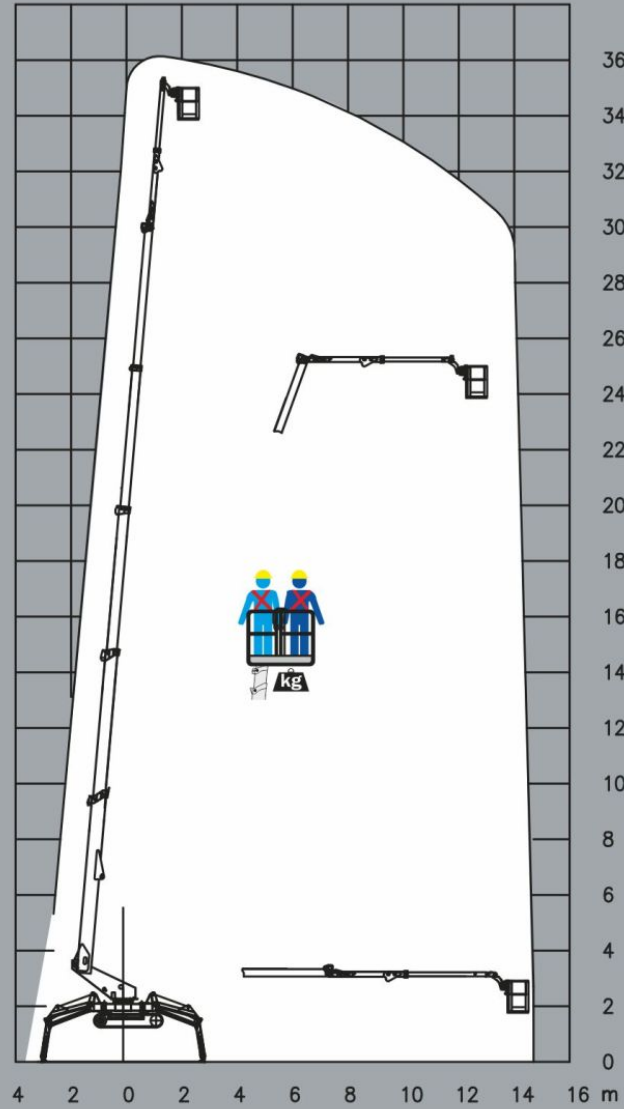
	36,50 m
	34,50 m
	15,50 m
	30,00 m
	14,00 m
	360°
	2,4x0,7x1,1 m
	90°+90°
	ALUMINIUM
	DANFOSS
	7,80 T



**SPYDER 365**





[Download schede tecniche](#) &nbsp;